

- 1 Double-lip sealing system
- 2 Standard strip insert
- 3 Anchoring ring

The coupling for plastic pipes

NORMACONNECT® PLAST GRIP/PLAST GRIP E axial restraint pipe couplings are used to connect plastic pipes. The specially designed anchoring ring, featuring flat rows of teeth, engages into the pipe surface without damaging the plastic material. The force applied is distributed evenly across the pipe surface. NORMACONNECT® PLAST GRIP E has hollow trunnions (smaller diameters). NORMACONNECT® PLAST GRIP has solid trunnions (larger diameters).

Advantages at a glance

- ✓ Also usable for smooth thermoplastics such as PP and PE.
- ✓ Also available with hollow trunnions for weight-saving

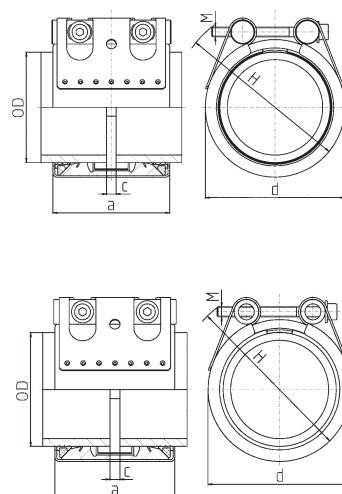
Information

- Sizes: 40.0 mm – 400.0 mm
- Working pressure: 16.0 – 6.0 bar
- Material: AISI 304, AISI 316 Ti
- EPDM:
 - Sizes from 40.0 mm up to 168.3 mm -30 °C up to +125 °C
 - Sizes > 180.0 mm: -20 °C up to +80 °C
- NBR: -20 °C up to +80 °C

Materials

W1	W2	W3	W4	W5
				x

Technical data & ordering information





NORMACONNECT® PLAST GRIP/PLAST GRIP E axial restraint pipe couplings are used to connect plastic pipes.

Main advantage

- PLAST GRIP E has hollow trunnions and is weight-saving (available for smaller diameters)
- PLAST GRIP has solid trunnions (available for larger diameters)

Material

W5

NORMACONNECT®

Technical data & Ordering information

NORMACONNECT® FGR PLAST GRIP E													
Ø (O.D.)	Designation	Clamping ranges	PN ¹	WP ²	C max	Dimensions (approx.)			Weight (approx.)	Hex socket locking bolts		W5 Product No.	
		Oadmin - Odmax (mm)	[bar]	[bar]	(mm)	a (mm)	d (mm)	H (mm)	(kg/pc.)	Thread	Tightening torque (Nm)	EPDM	NBR
40.0	Plast Grip E W5 40	39.0 - 40.5	10	16	8	62	60	80	0.48	M 8 SW 6	15	0581 9360 040	0581 8660 040
50.0	Plast Grip E W5 50	49.0 - 50.5	10	16	8	62	70	90	0.52	M 8 SW 6	15	0581 9360 050	0581 8660 050
63.0	Plast Grip E W5 63	62.0 - 63.5	10	16	17	78	85	105	0.67	M 8 SW 6	20	0581 9360 063	0581 8660 063
75.0	Plast Grip E W5 75	74.0 - 76.0	10	16	25	98	100	120	1.33	M 10 SW 8	30	0581 9360 075	0581 8660 075
90.0	Plast Grip E W5 90	89.0 - 91.0	10	16	25	98	110	130	1.42	M 10 SW 8	30	0581 9360 090	0581 8660 090
110.0	Plast Grip E W5 110	109.0 - 111.0	10	16	25	98	130	150	1.66	M 10 SW 8	30	0581 9360 110	0581 8660 110
125.0	Plast Grip E W5 125	124.0 - 126.0	10	16	35	115	140	160	1.42	M 12 SW 10	40	0581 9360 125	0581 8660 125
140.0	Plast Grip E W5 140	139.0 - 141.0	10	16	35	115	160	180	1.18	M 12 SW 10	50	0581 9360 140	0581 8660 140
154.0	Plast Grip E W5 154	152.3 - 156.1	10	16	35	115	170	190	1.27	M 12 SW 10	50	0581 9360 154	0581 8660 154
160.0	Plast Grip E W5 160	159.0 - 162.0	10	16	35	115	180	200	1.45	M 12 SW 10	60	0581 9360 160	0581 8660 160

NORMACONNECT® FGR PLAST GRIP													
Ø (O.D.)	Designation	Clamping ranges	PN ¹	WP ²	C max	Dimensions (approx.)			Weight (approx.)	Hex socket locking bolts		W5 Product No.	
		Oadmin - Odmax (mm)	[bar]	[bar]	(mm)	a (mm)	d (mm)	H (mm)	(kg/pc.)	Thread	Tightening torque (Nm)	EPDM	NBR
180.0	Plast Grip W5 180	178.0 - 182.0	-	16	35	142	210	240	7.6	M 12 SW 10	60	0581 8350 180	0581 8650 180
200.0	Plast Grip W5 200	198.0 - 202.0	-	16	35	142	230	260	8.1	M 12 SW 10	60	0581 8350 200	0581 8650 200
225.0	Plast Grip W5 225	222.0 - 227.0	-	10	35	142	255	285	8.7	M 12 SW 10	60	0581 8350 225	0581 8650 225
250.0	Plast Grip W5 250	247.0 - 253.0	-	10	35	142	280	310	9.4	M 12 SW 10	80	0581 8350 250	0581 8650 250
280.0	Plast Grip W5 280	277.0 - 283.0	-	10	35	142	310	340	10.1	M 16 SW 14	100	0581 8350 280	0581 8650 280
315.0	Plast Grip W5 315	311.0 - 318.0	-	10	35	142	345	375	11	M 16 SW 14	100	0581 8350 315	0581 8650 315
355.0	Plast Grip W5 355	352.0 - 359.0	-	6	35	142	385	415	12	M 16 SW 14	120	0581 8350 355	0581 8650 355
400.0	Plast Grip W5 400	396.0 - 404.0	-	6	35	142	430	460	13.1	M 16 SW 14	120	0581 8350 400	0581 8650 400

PN¹ (Nominal Pressure) is the max. admissible working pressure in shipbuilding, based on a safety factor of ≥ 4.
 WP² is the max. working pressure in industrial applications, with a safety factor as per NORMA specification.